

Hinge systems



▶ CLIP top BLUMOTION / CLIP top – hinges ▶▶ Mounting plates



Hinge systems

Description	Material	Adjustment	Height						
▶▶ Mounting plates									
Horizontal cam mounting plate	20/32 Steel	Cam	±2 mm	186		186	187	187	
Horizontal cam mounting plate for dual application	20/32 Steel	Cam	±2 mm				187		
Horizontal cam mounting plate	22/32 Zinc	Cam	±2 mm	188		188			
Horizontal cam mounting plate	20/32 Zinc	Cam	±2 mm					188	
INSERTA cruciform mounting plate	37/32 Steel	Cam	±2 mm		189				
Cruciform cam mounting plate	37/32 Steel	Cam	±2 mm	188		189			
Cruciform cam mounting plate for dual application	37/32 Steel	Cam	±2 mm			189			
Cruciform mounting plate	37/32 Zinc	Screws (two-part)	±2 mm	189			190		
Cruciform mounting plate	37/32 Steel	Elongated hole	±2 mm			190			
Cruciform mounting plate	37/32 Steel	Elongated hole	±3 mm	190				190	191
Cruciform mounting plate for dual application	37/32 Steel	Elongated hole	±3 mm					191	
Cruciform mounting plate	28/32 Steel	Elongated hole	±3 mm					191	
Cruciform mounting plate	37/32 Zinc	Elongated hole	±3 mm					191	
▶▶ Angled spacers									
+5° obtuse angled spacer	37/32 Zinc			192					
-5° acute angled spacer	37/32 Zinc			192					

Pictograph

	Item Available Upon Request		Cruciform mounting plate		EXPANDO fixing
	Accessories		Angled spacers		System screw fixing
	General Information		Chipboard screw fixing		Knock-in dowel fixing – assembly only with the insertion ram
	Horizontal mounting plate		INSERTA fixing		Knock-in dowel fixing

Horizontal cam mounting plate

20/32




- Fixing with chipboard screws
Ø 3.5 mm

- With cam height adjustment
±2 mm

- Recommended screw length
17 mm

- Material: steel

- Colour: nickel plated

Order information		
Spacing (mm)	Height (mm)	Part no.
0	8.5	175H3100
3	11.5	175H3130

Planning

H: Height

*: Fix with additional screw if used with wide angle hinges

Horizontal cam mounting plate

20/32



- Fixing with pre-mounted special screws with split dowels (EXPANDO)

- With cam height adjustment
±2 mm

- Material: steel

- Colour: nickel plated

Order information		
Spacing (mm)	Height (mm)	Part no.
0	8.5	177H3100E
3	11.5	177H3130E

Planning

H: Height

*: Fix with additional screw if used with wide angle hinges



Horizontal cam mounting plate

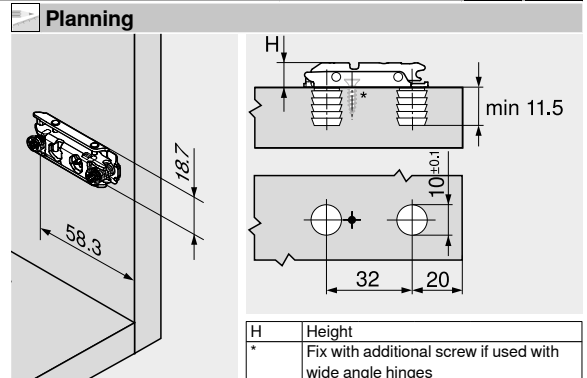
20/32



- Fixing with pre-mounted special screws with split dowels (EXPANDO)
- With cam height adjustment ± 2 mm
- Material: steel
- Colour: nickel plated

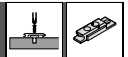
Order information

Spacing (mm)	Height (mm)	Part no.
0	8.5	177H3100E10
3	11.5	177H3130E10



Horizontal cam mounting plate

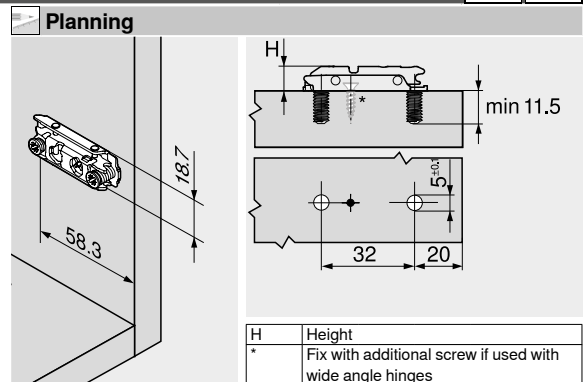
20/32



- Assembly using pre-mounted system screws $\varnothing 6 \times 12.9$ mm (66B.129)
- With cam height adjustment ± 2 mm
- Material: steel
- Colour: nickel plated

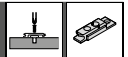
Order information

Spacing (mm)	Height (mm)	Part no.
0	8.5	175H4100
3	11.5	175H4130



Horizontal cam mounting plate for dual application

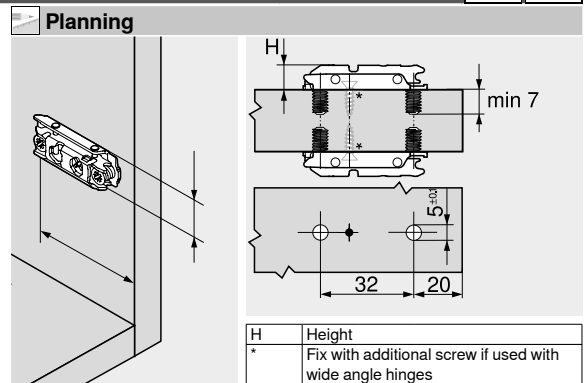
20/32



- Assembly using pre-mounted system screws $\varnothing 6 \times 8.9$ mm (66B.089)
- With cam height adjustment ± 2 mm
- For twin application
- Material: steel
- Colour: nickel plated

Order information

Spacing (mm)	Height (mm)	Part no.
0	8.5	175H410Z



Horizontal cam mounting plate

20/32



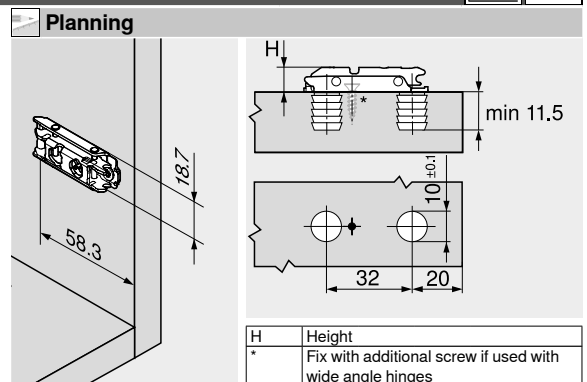
- Knock-in assembly with pre-fixed dowels
- Assembly with knock-in insertion ram or knock-in tool with pressure directly on the screw
- With cam height adjustment ± 2 mm
- Material: steel
- Colour: nickel plated

Order information

Spacing (mm)	Height (mm)	Part no.
0	8.5	177H3100
3	11.5	177H3130

a Accessories

Description	Part no.
Insertion ram	MZM.0053



Hinge systems

blum

- ▶ CLIP top BLUMOTION / CLIP top – hinges
- ▶▶ Mounting plates



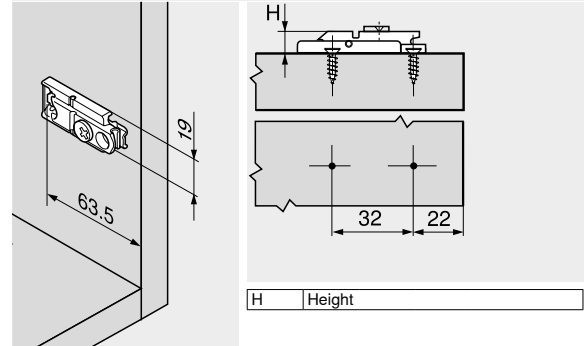
Horizontal cam mounting plate

22/32



- Fixing with chipboard screws \varnothing 3.5 mm
- With cam height adjustment ± 2 mm
- Recommended screw length 17 mm
- Material: zinc
- Colour: nickel plated

Planning

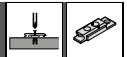


Order information

Spacing (mm)	Height (mm)	Part no.
0	8.5	175H5400
3	11.5	175H5430

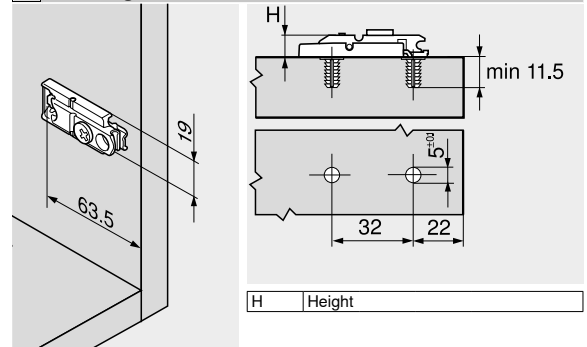
Horizontal cam mounting plate

22/32



- Fixing with pre-mounted special screws with split dowels (EXPANDO)
- With cam height adjustment ± 2 mm
- Material: zinc
- Colour: nickel plated

Planning



Order information

Spacing (mm)	Height (mm)	Part no.
0	8.5	177H5400E
3	11.5	177H5430E

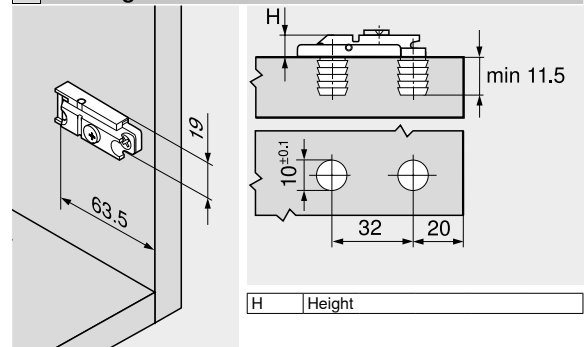
Horizontal cam mounting plate

20/32



- Knock-in assembly with pre-fixed dowels
- Assembly with insertion ram or knock-in tool only
- With cam height adjustment ± 2 mm
- Material: zinc
- Colour: nickel plated

Planning



Order information

Spacing (mm)	Height (mm)	Part no.
0	8.5	177H5100
3	11.5	177H5130

a Accessories

Description	Part no.
Insertion ram	MZM.0050

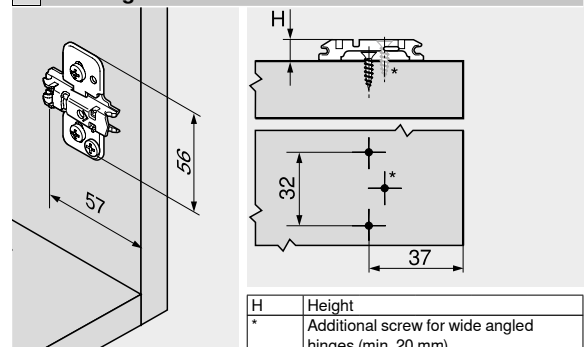
Cruciform cam mounting plate

37/32



- Fixing with chipboard screws \varnothing 3.5 or \varnothing 4 mm
- With cam height adjustment ± 2 mm
- Material: steel
- Colour: nickel plated

Planning



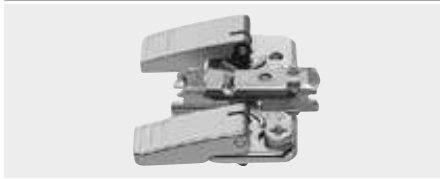
Order information

Spacing (mm)	Height (mm)	Part no.
0	8.5	173H7100
3	11.5	173H7130



INSERTA cruciform mounting plate

37/32

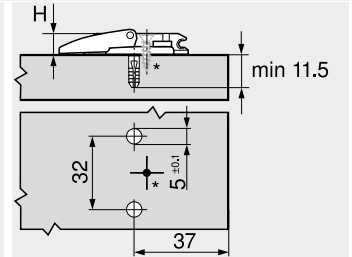
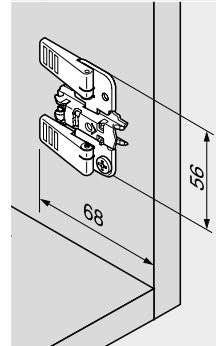


- Tool-free assembly
- With "self anchoring" feature
- With cam height adjustment ± 2 mm
- Material: steel, closing lever, zinc die-cast
- Colour: nickel plated

Order information

Spacing (mm)	Height (mm)	Part no.
0	8.5	174H7100I
3	11.5	174H7130I

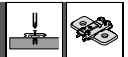
Planning



H	Height
*	Additional screw for wide angled hinges (min. 20 mm)

Cruciform cam mounting plate

37/32

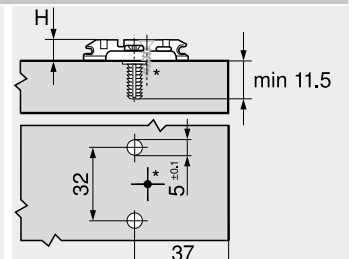
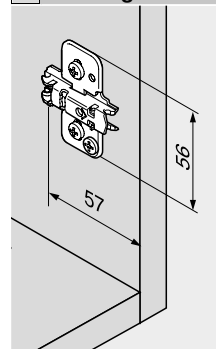


- Fixing with pre-mounted special screws with split dowels (EXPANDO)
- With cam height adjustment ± 2 mm
- Material: steel
- Colour: nickel plated

Order information

Spacing (mm)	Height (mm)	Part no.
0	8.5	174H7100E
3	11.5	174H7130E

Planning



H	Height
*	Additional screw for wide angled hinges (min. 20 mm)

Cruciform cam mounting plate for dual application

37/32

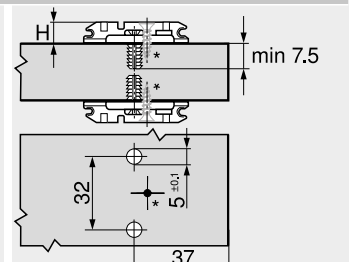
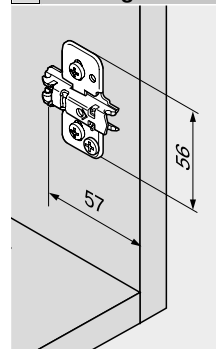


- Fixing with pre-mounted special screws with split dowels (EXPANDO)
- With cam height adjustment ± 2 mm
- For twin application
- Material: steel
- Colour: nickel plated

Order information

Spacing (mm)	Height (mm)	Part no.
0	8.5	174H710ZE
3	11.5	174H713ZE

Planning



H	Height
*	Additional screw for wide angled hinges (min. 20 mm)

Cruciform mounting plate

37/32

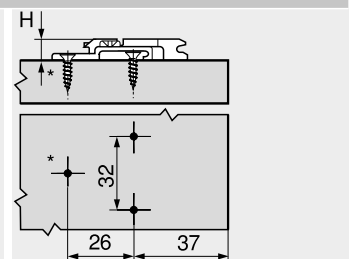
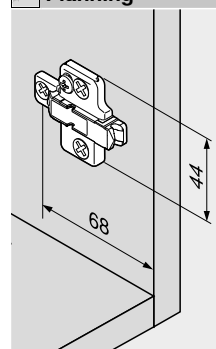


- Fixing with chipboard screws $\varnothing 3.5$ or $\varnothing 4$ mm
- With height adjustment ± 2 mm
- Recommended screw length 17 mm
- Material: zinc
- Colour: nickel plated

Order information

Spacing (mm)	Height (mm)	Part no.
0	8.5	175H7100
3	11.5	175H7130
9	17.5	175H7190
18	26.5	175H7190.22

Planning



H	Height
*	Fix with additional screw if used with wide angle hinges



Cruciform mounting plate

37/32

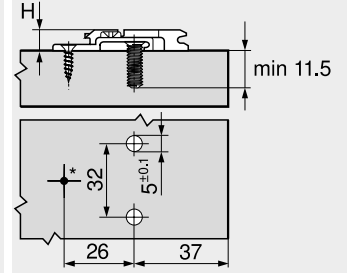
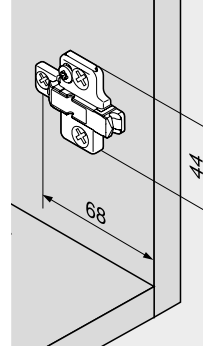


- Fixing with system screws $\varnothing 6 \times 14.5$ mm (661.1450)
- With height adjustment ± 2 mm
- Material: zinc
- Colour: nickel plated

Order information

Spacing (mm)	Height (mm)	Part no.
0	8.5	175H9100
3	11.5	175H9130
6	14.5	175H9160
9	17.5	175H9190
18	26.5	175H9190.22

Planning



H	Height
*	Fix with additional screw if used with wide angle hinges

Cruciform mounting plate

37/32

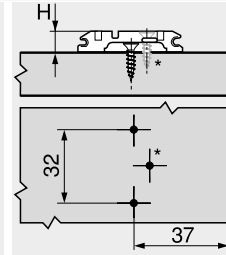
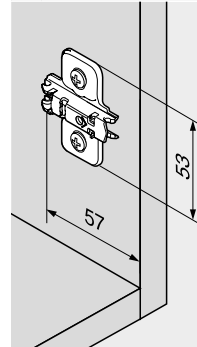


- Fixing with chipboard screws $\varnothing 3.5$ or $\varnothing 4$ mm
- With height adjustment ± 3 mm
- Recommended screw length 17 mm
- Material: steel
- Colour: nickel plated

Order information

Spacing (mm)	Height (mm)	Part no.
0	8.5	173L6100
3	11.5	173L6130

Planning



H	Height
*	Additional screw for wide angled hinges (min. 20 mm)

Cruciform mounting plate

37/32

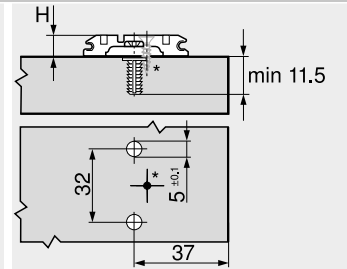
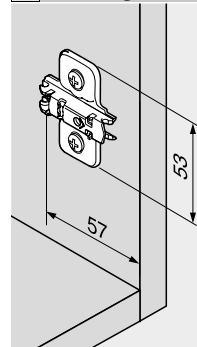


- Fixing with pre-mounted special screws with split dowels (EXPANDO)
- With height adjustment ± 2 mm
- Material: steel
- Colour: nickel plated

Order information

Spacing (mm)	Height (mm)	Part no.
0	8.5	174E6100.01
3	11.5	174E6130.01

Planning



H	Height
*	Additional screw for wide angled hinges (min. 20 mm)

Cruciform mounting plate

37/32

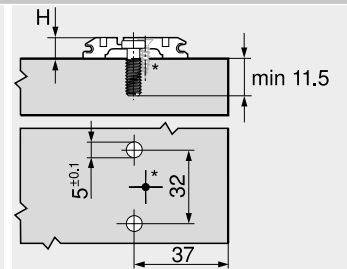
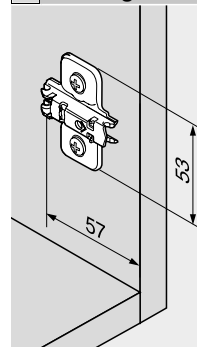


- Fixing with pre-mounted system screws $\varnothing 6$ mm
- With height adjustment ± 3 mm
- Material: steel
- Colour: nickel plated

Order information

Spacing (mm)	Height (mm)	Part no.
0	8.5	173L8100
3	11.5	173L8130

Planning



H	Height
*	Additional screw for wide angled hinges (min. 20 mm)



Cruciform mounting plate for dual application

37/32

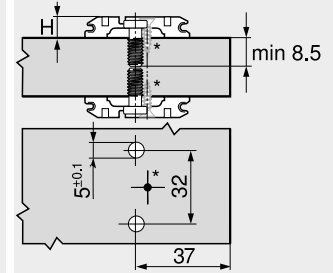
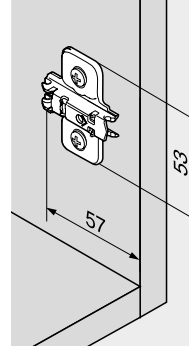


- Fixing with pre-mounted special system screws, \varnothing 6 mm (668.1150)
- With height adjustment ± 3 mm
- For twin application
- Material: steel
- Colour: nickel plated

Order information

Spacing (mm)	Height (mm)	Part no.
0	8.5	173L8100.21

Planning



H	Height
*	Additional screw for wide angled hinges (min. 20 mm)

Cruciform mounting plate

37/32



- Knock-in assembly with pre-fixed dowels
- With height adjustment ± 3 mm
- Material: steel
- Colour: nickel plated

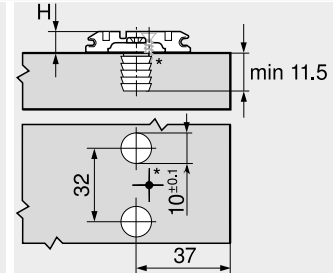
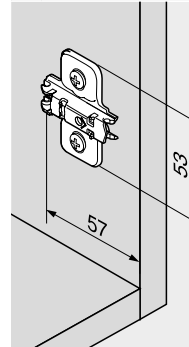
Order information

Spacing (mm)	Height (mm)	Part no.
0	8.5	174L6100.05
3	11.5	174L6130.05

a Accessories

Description	Part no.
Insertion ram	MZM.0061.01

Planning



H	Height
*	Additional screw for wide angled hinges (min. 20 mm)

Cruciform mounting plate

28/32

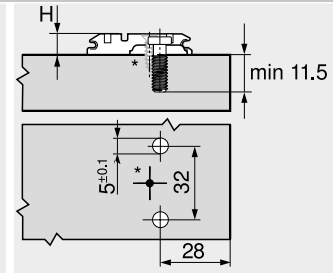
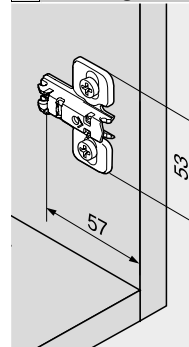


- Fixing with pre-mounted system screws \varnothing 6 mm
- With height adjustment ± 3 mm
- Material: steel
- Colour: nickel plated

Order information

Spacing (mm)	Height (mm)	Part no.
0	8.5	173L8300
3	11.5	173L8330

Planning



H	Height
*	Additional screw for wide angled hinges (min. 20 mm)

Cruciform mounting plate

37/32

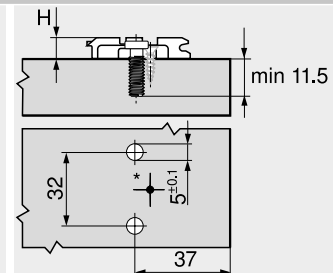
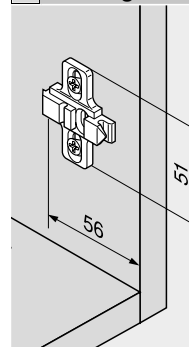


- Fixing with pre-mounted system screws \varnothing 6 mm
- With height adjustment ± 3 mm
- Material: zinc
- Colour: nickel plated

Order information

Spacing (mm)	Height (mm)	Part no.
0	8.5	175L8100
3	11.5	175L8130
9	17.5	175L8190
11	19.5	175L8190.21

Planning



H	Height
*	Fix with additional screw if used with wide angle hinges



+5° obtuse angled spacer

37/32

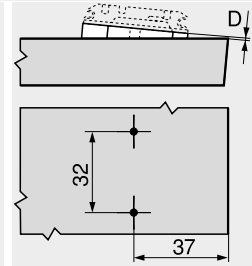
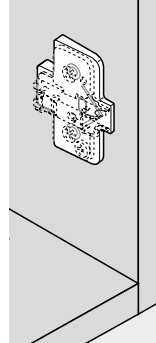


- Fixing with chipboard screws
 \varnothing 3.5 or \varnothing 4 mm
- Material: zinc
- Colour: nickel plated
- Suitable for mounting plates:
 173H71X0
 175H71X0
 175H91X0

Order information

Spacing (mm)	Part no.
0.8	171A5010
3	171A5040
6	171A5070

Planning



D Spacing

-5° acute angled spacer

37/32

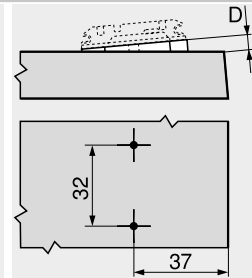
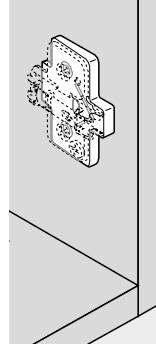


- Fixing with chipboard screws
 \varnothing 3.5 or \varnothing 4 mm
- Material: zinc
- Colour: nickel plated
- Suitable for mounting plates:
 173H71X0
 175H71X0
 175H91X0

Order information

Spacing (mm)	Part no.
6	171A5500

Planning



D Spacing